

**ASaP**  
**Ex Process Portable Micro-GC**  
**CP-4900 Portable PRO**  
VARIAN Technology inside



**If your applications need to be Flexible and Portable**

Developments in the field of gas chromatograph applications grow rapidly. New and improved techniques enable us to realise measurements people never would have thought possible.

The majority of process applications originate in the laboratory environment since this offers the optimum environment to experiment. When continuity, stability and robustness is achieved the applications are transferred to process conditions. Therefore, many applications can't be implemented in an on-line process environment.

ASaP developed, in close cooperation with Varian, a process gas chromatograph that combines the best of both worlds: the robustness, stability and continuity of a process analyser combined with flexibility and the latest analyser techniques.

Using these techniques, applications used in the laboratory can easily and quickly be transferred to a process environment. At the same time the wide experience of Varian in many successful applications will be available for process measurements stationary and portable.

This flexibility, combined with a very quick analysis is unique in the world of gas chromatography. Combined with a measuring range of low ppb up to Vol%, this offers you the opportunity to implement even the most difficult applications in a process environment.

**Data communications**

- Ethernet TCP/IP
- RS232 and RS485
- Modbus
  - both serial and ethernet
  - redundant
- External control
  - Up to 64 external relays
  - Up to 64 digital I/O
  - Up to 56 analog outputs
  - Up to 6 analog inputs
- Data storage on FTP-server

**Configuration**

- 2 GC-channels (modular)
- 2 Carrier bombs on board
- Sample connection up to 248barG

Independent control for each GC-channel with its own injector, column and detector.

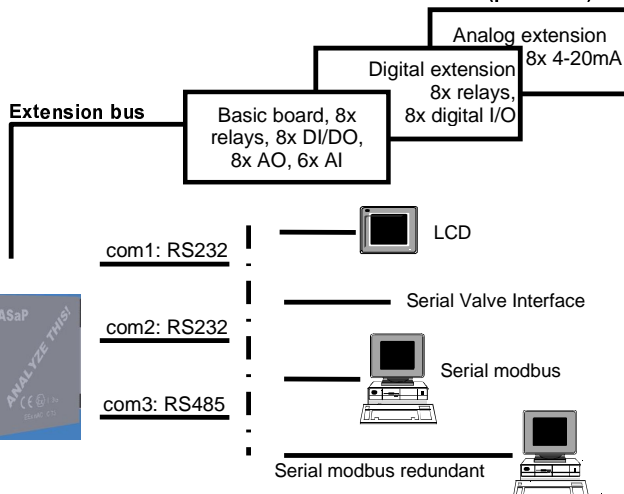
**Micro injector**

- Heated
- Without moving parts

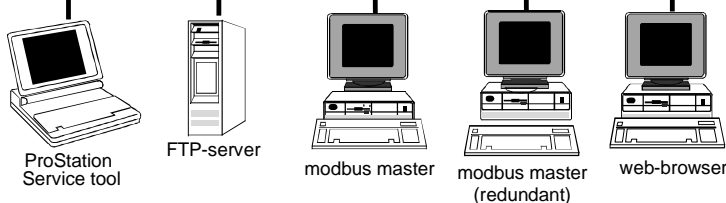


Other CP-4900 PRO or Portable analysers

**Extension Boards (per board)**



**TCP/IP**

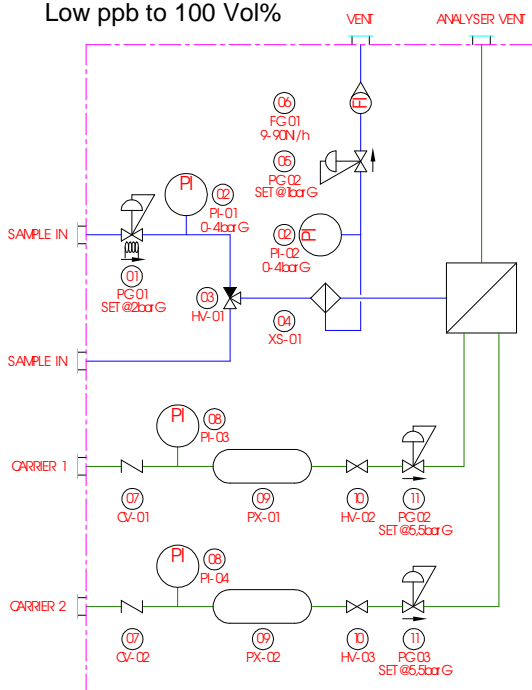


**Detectors**

Micro Thermal Conductivity Detector ( $\mu$ TCD)  
 Micro Differential Mobility Detector ( $\mu$ DMD)

**Measuring range**

Low ppb to 100 Vol%



The sample conditioning & carrier system in the Portable uGC

**Software for control and data collection**

- ProStation Service software
- Web-browser tool
- Storage of chromatograms on a FTP-server
- Optional arithmetical functions (for example the energy meter)
- 35 days data logging
- ScanView application database for free with more than 4000 applications

**Dimensions**

Gas chromatograph  
 38 x 33 x 46.5 cm (hwxwd) (portable system including sample conditioning system)  
 75 x 40 X 35 cm (hwxwd) (stationary)

Sample conditioning cabinet for stationary version(optional)  
 37.5 x 40 x 35 cm (hwxwd)

**Explosion proof**

ATEX Zone 1: CE Ex II 2G, EEx p II T4 (stationary)  
 ATEX Zone 2: CE Ex II 3G, EEx nL IIC T4 (portable & stationary)

**Important characteristics**

- Very quick analysis
- Difficult applications possible
- Compact design
- Extensive data communications
- Low total cost of ownership

