

Panel - Filter AGF-FE



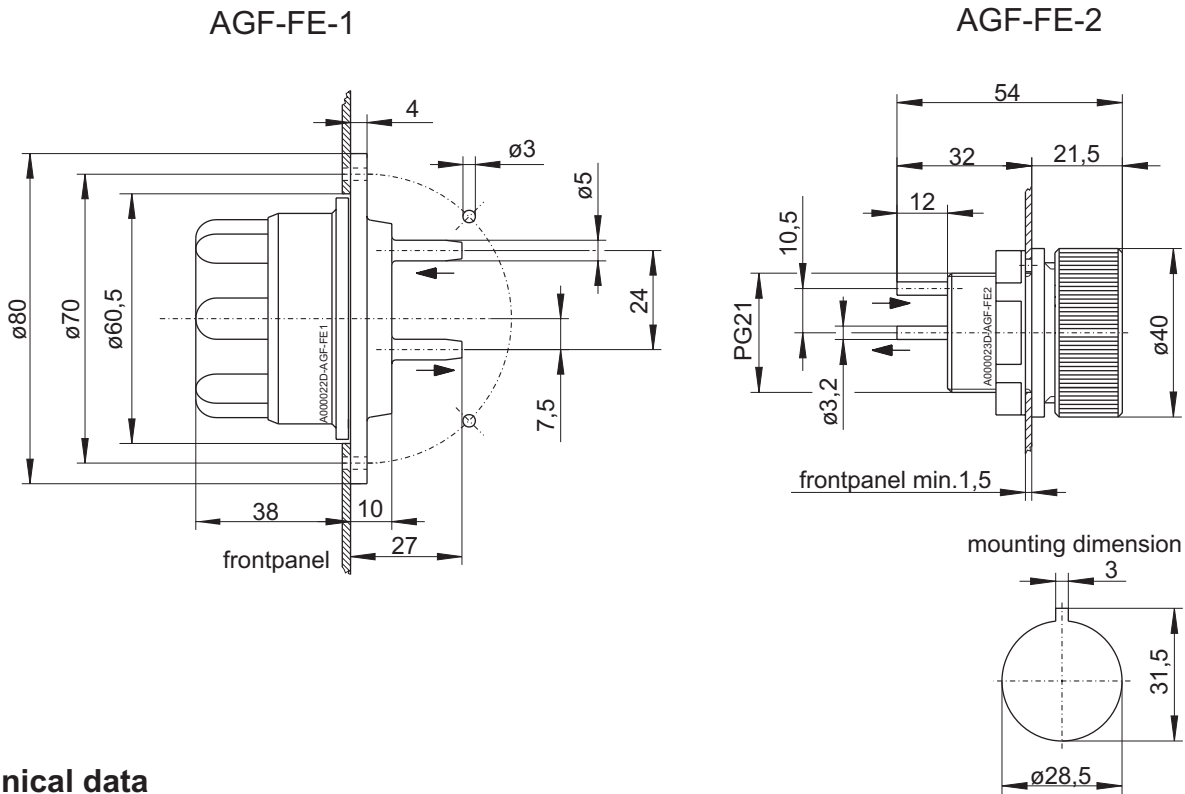
Filter types AGF-FE have been particularly designed to fit into front panels of analysers or systems.

The main body is fixed to the front panel. The filter bowl fits on a thread on the main body and seals on a O-Ring.

Change of filter elements is done by turning off the bowl. The dirt load is visible at the AGF-FE-1 due to the transparent bowl. Sample gas inlet and outlet are at the rear side.

- **front panel installation**
- **easy to install**
- **large filter area**
- **easy element change**

dimensions



technical data

Panel-filter	AGF-FE-1	AGF-FE-2
filter surface	40 cm ²	13 cm ²
retention	2 µm	8 µm
death volume	25 ml	6 ml
material - filter	PA; PC	PVDF / 1.4571
material - seal	viton	viton
connections for hose	DN 4/6	DN 2/4
pressure max.	2 bar	2 bar
media temperature	max. +80 °C	max.+80 °C

please indicate with order

filter *

part no.	type
41 15 999	AGF-FE-1
41 15 099	AGF-FE-2

*Delivery includes one filterelement

spare filter elements AGF-FE-1

part no.	type	package
41 15 001	FE-E1	5 pcs.

spare filter elements AGF-FE-2

part no.	type	package
41 15 0991	FE-E2	5 pcs.