

# Sample Gas Filter

## AGF - T - 30



Sample gas streams must be conditioned to provide particulate and moisture free gas to enter the analyser cells.

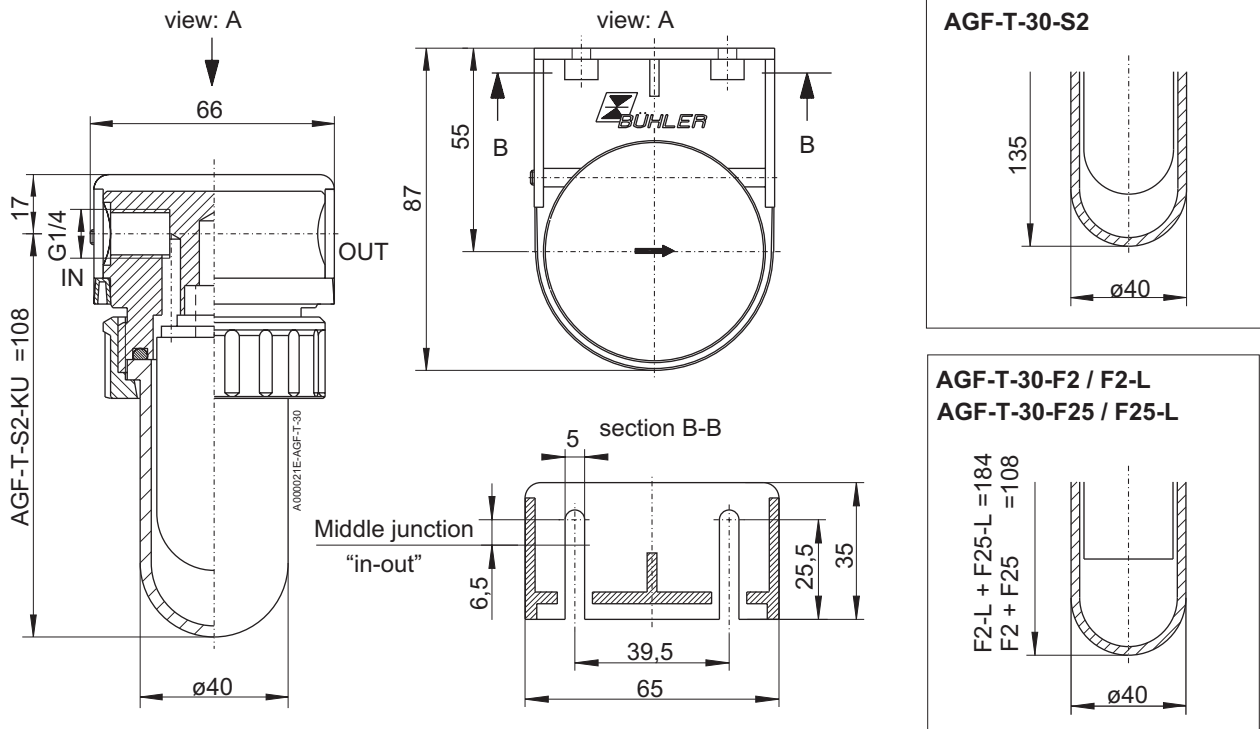
Some of these applications require components made of highly corrosion resistant materials.

The AGF - T - 30 is made of Duran glass and PTFE and is an excellent solution for this category of applications.

The filter elements are made of sintered PTFE and have almost no absorption properties. The versatile mounting bracket allows to install the filter in any flow direction. A variation of sizes and retention rates allows the best choice for individual applications. Element and casing provide low death volumina.

- **filter head made of solid PTFE**
- **seal PTFE**
- **highly corrosion resistant**
- **choice of elements**
- **no absorption of trace gases**
- **fast reaction in sample conditioning systems due to low death volume**
- **versatile mounting bracket**

## dimensions



## technical data

filter head	PTFE
filter bowl	glass
seal	viton with PTFE jacket
Temperature max.	100 °C
pressure max.	4 bar

## please indicate with order\*

AGF-T-	30-S2	30-S2-KU	30-F2	30-F25	30-F2-L	30-F25-L
filter retention	2 µm	2 µm	2 µm	25 µm	2 µm	25 µm
part no.	41 51 399	41 51 499	41 51 799	41 51 199	41 51 099	41 51 299
element	S2	S2KU	F2	F25	F2L	F25L
death volume	57 ml	50 ml	57 ml	57 ml	108 ml	108 ml
weight approx.	0,41 kg	0,35 kg	0,35 kg	0,35 kg	0,43 kg	0,43 kg

\* delivery includes one filter element

## spare filter elements AGF-T-30

type	filter elements	material	filter fineness	filter surface	part no.	package
S2	Husk	glas fibre	2 µm	80 cm <sup>2</sup>	41 01 001	5 pcs.
S2	Husk	glas fibre	2 µm	80 cm <sup>2</sup>	41 01 002	25 pcs.
S2KU	Husk	glas fibre	2 µm	61 cm <sup>2</sup>	41 01 014	5 pcs.
S2KU	Husk	glas fibre	2 µm	61 cm <sup>2</sup>	41 01 015	25 pcs.
F2	PTFE sintered	PTFE	2 µm	60 cm <sup>2</sup>	41 03 005	5 pcs.
F25	PTFE sintered	PTFE	25 µm	60 cm <sup>2</sup>	41 02 013	5 pcs.
F2L	PTFE sintered	PTFE	2 µm	125 cm <sup>2</sup>	41 02 005	1 pc.
F25L	PTFE sintered	PTFE	25 µm	125 cm <sup>2</sup>	41 01 012	1 pc.