

Sample Gas Filter AGF - PV - 30



Sample gas streams must be conditioned to provide particulate and moisture free gas to enter the analyser cells.

The sample gas filter with Bühler-Unique-QC bracket provides fine filtration and a very easy change of the exhausted filter elements. The Unique-QC bracket eliminates completely the need of tools to open the filter bowl hence making the change of the element a matter of seconds.

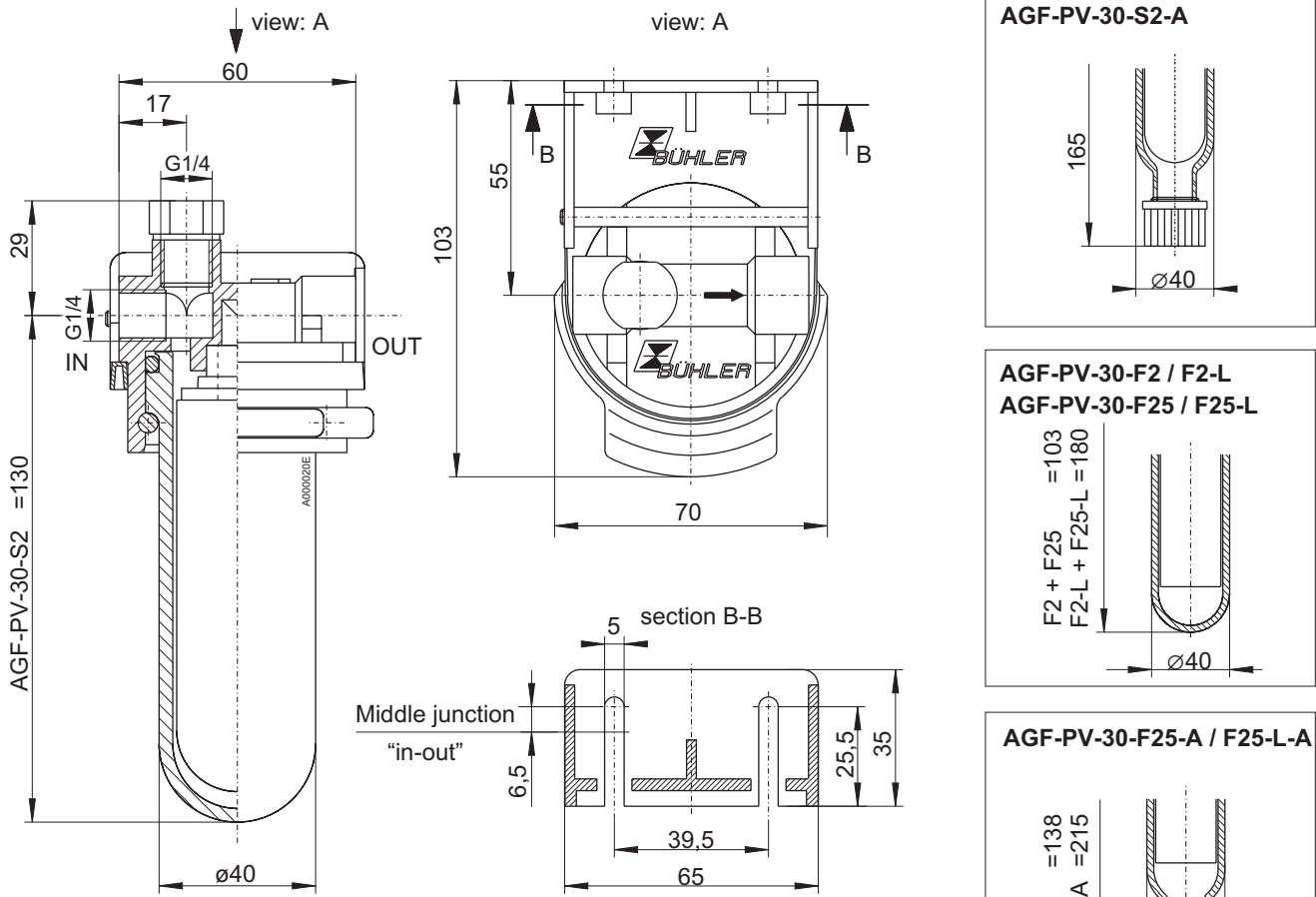
The QC bracket fits either from the front or the rear side making the panel installation of the filter independent from the flow direction chosen. The versatile mounting bracket makes the installation very easy.

The filter head has an auxiliary port. This can be used either for a bypass or can take a moisture detector to detect a water slip through the cooler or other items.

There is a choice of filter elements available to meet different application parameters.

- **Bühler Unique - QC bracket**
- **easy change of filter element without tools**
- **fast reaction in sample conditioning systems due to low death volume**
- **versatile mounting bracket**
- **condensate drain in bowl optional**
- **filter-head with additional port for bypass or moisture detector connection**

dimensions



technical data

filter head	PVDF
filter bowl	Glas
seal	Viton
temperature max.	100 °C
pressure max.	4 bar

please indicate with order*

AGF-PV-	30-S2	30-S2-A	30-F2	30-F2-L	30-F25	30-F25-A	30-F25-L	30-F25-L-A
retention rate	2 µm	2 µm	2 µm	2 µm	25 µm	25 µm	25 µm	25 µm
part no.	41 50 099	41 50 199	41 50 2999	41 50 799	41 50 299	41 50 399	41 50 499	41 50 599
element	S2	S2	F2	F2L	F25	F25	F25L	F25L
death volume	57 ml	69 ml	57 ml	108 ml	57 ml	63 ml	108 ml	117 ml
weight approx.	0,28 kg	0,29 kg	0,24 kg	0,29 kg	0,23 kg	0,24 kg	0,29 kg	0,30 kg

* delivery includes one filterelement

spare filter elements AGF-PV-30

type	filter elements	material	retention rate	filter surface	part no.	package
S2	husk	glass fibre	2 µm	80 cm ²	41 01 001	5 pcs.
S2	husk	glass fibre	2 µm	80 cm ²	41 01 002	25 pcs.
F2	PTFE sintered	PTFE	2 µm	60 cm ²	41 03 005	5 pcs.
F2L	PTFE sintered	PTFE	2 µm	125 cm ²	41 02 005	1 pc.
F25	PTFE sintered	PTFE	25 µm	60 cm ²	41 02 013	5 pcs.
F25L	PTFE sintered	PTFE	25 µm	125 cm ²	41 01 012	1 pc.